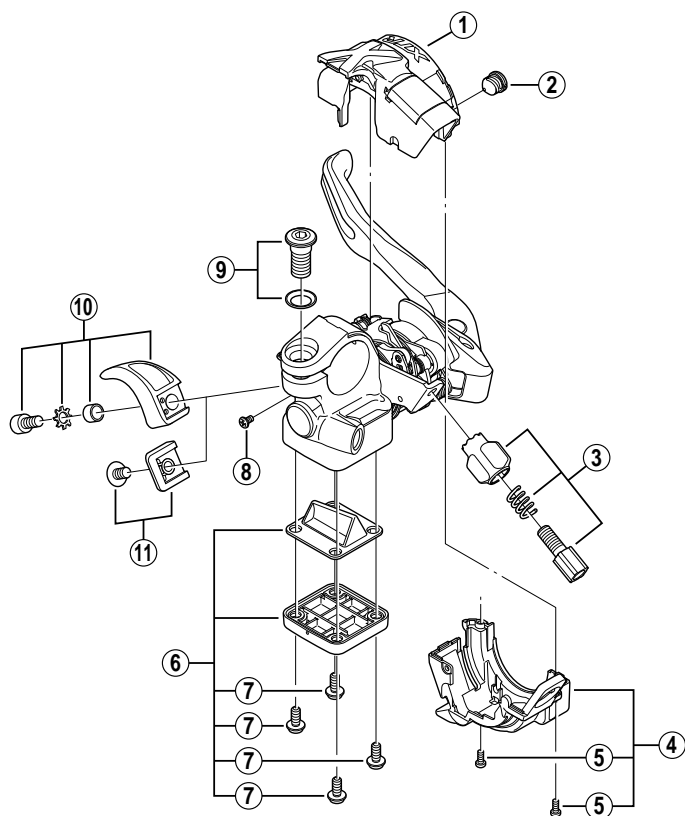


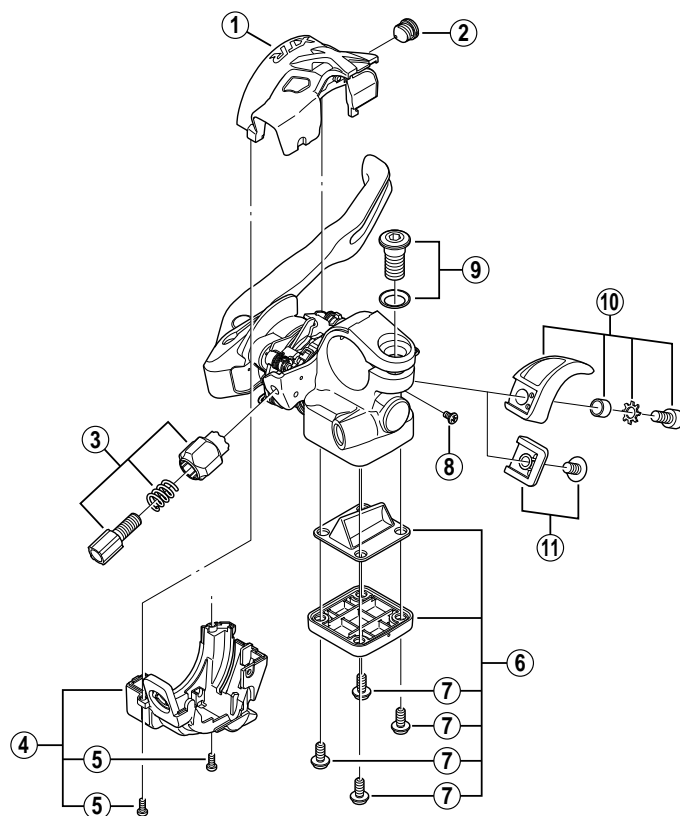
XTR Dual Control Lever

ST-M975 For Disc Brake

For Left Hand



For Right Hand



ST-M950
BL-M755
SL-M570

ITEM NO.	SHIMANO CODE NO.	DESCRIPTION	INTERCHANGEABILITY
1	Y-6LK 18000	R.H. Top Cover	
	Y-6LK 98010	L.H. Top Cover	
2	Y-6CD33000	Inner Hole Cap	
3	Y-6LK 98020	Cable Adjusting Bolt Unit	A
4	Y-6LK 98030	R.H. Bottom Cover & Fixing Screws	
	Y-6LK 98040	L.H. Bottom Cover & Fixing Screws	
5	Y-6LK 47000	Cover Fixing Screw	
6	Y-6LK 98120	Lid Unit	
7	Y-8SY 24000	Lid Fixing Screw	A
8	Y-6LK 46000	Lever Cover Fixing Screw	
9	Y-6AU98090	Clamp Bolt (M8 x 16) & Washer	A
10	Y-6LK 98070	R.H. Release Lever & Fixing Bolt (M4 x 8)	
	Y-6LK 98080	L.H. Release Lever & Fixing Bolt (M4 x 8)	
11	Y-6LK 98110	Release Lever Cap & Fixing Screw (M4 x 6)	

A: Same parts.

B: Parts are usable, but differ in materials, appearance, finish, size, etc.

Absence of mark indicates non-interchangeability.

0706-2611C

Specifications are subject to change without notice.

SHIMANO