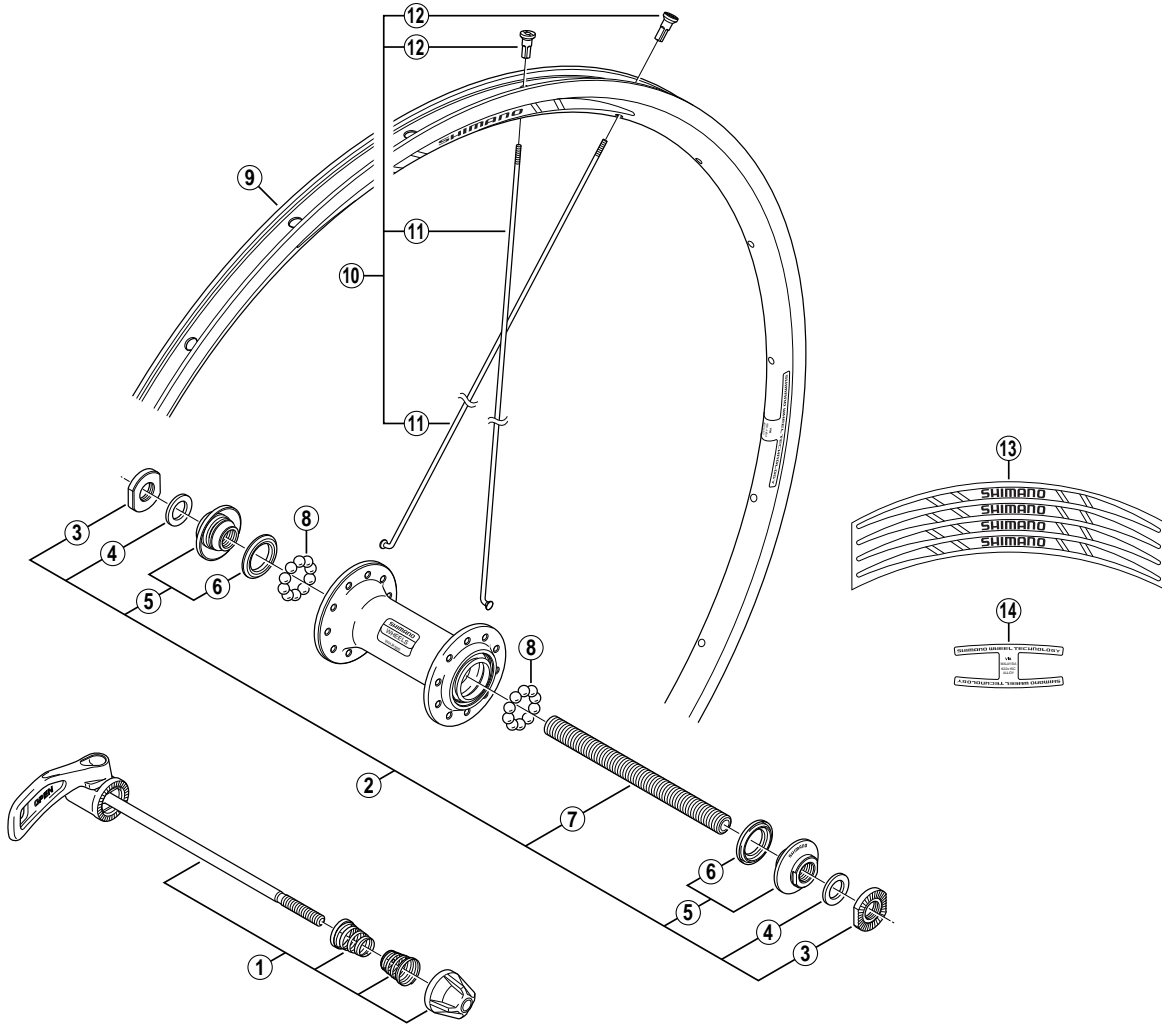


Front Wheel
WH-R500-F
WH-R500-A-F



ITEM NO.	SHIMANO CODE NO.	DESCRIPTION
1	Y-4BG98010	Complete Quick Release 133 mm (5-1/4")
2	Y-4BG98030	Complete Hub Axle 108 mm (4-1/4")
3	Y-21H 08100	Serrated Lock Nut 3 mm
4	Y-301 07000	Washer 1.5 mm
5	Y-4BG98020	Cone (M9 x 12.8 mm) w/Dust Cover & Seal Ring
6	Y-214 06000	Seal Ring
7	Y-21C 03100	Hub Axle 108 mm (4-1/4")
8	Y-000 91210	Steel Ball (3/16") 20 pcs.
* 9	E-WHRIMNFEB	Rim (20H / Anodized / Clincher)
* 10	E-WHSPOKEPA1	Spoke Unit for WH-R500-F {Spoke (278 mm x 20 pcs.) / Nipple (20 pcs.)}
* 11	Y-012 3Z785	Spoke (278 mm) for WH-R500-F
	Y-012 34785	Spoke (278 mm/Bladed type) for WH-R500-A-F
12	Y-012 Y4341	Nipple
13	Y-4BG98040	Rim Sticker A / 1 sheet (4 pcs.)
* 14	Y-4BR50000	Rim Sticker C

Over Lock Nut Dimension: 100 mm (3-15/16")

0509-2338A

Specifications are subject to change without notice.

SHIMANO