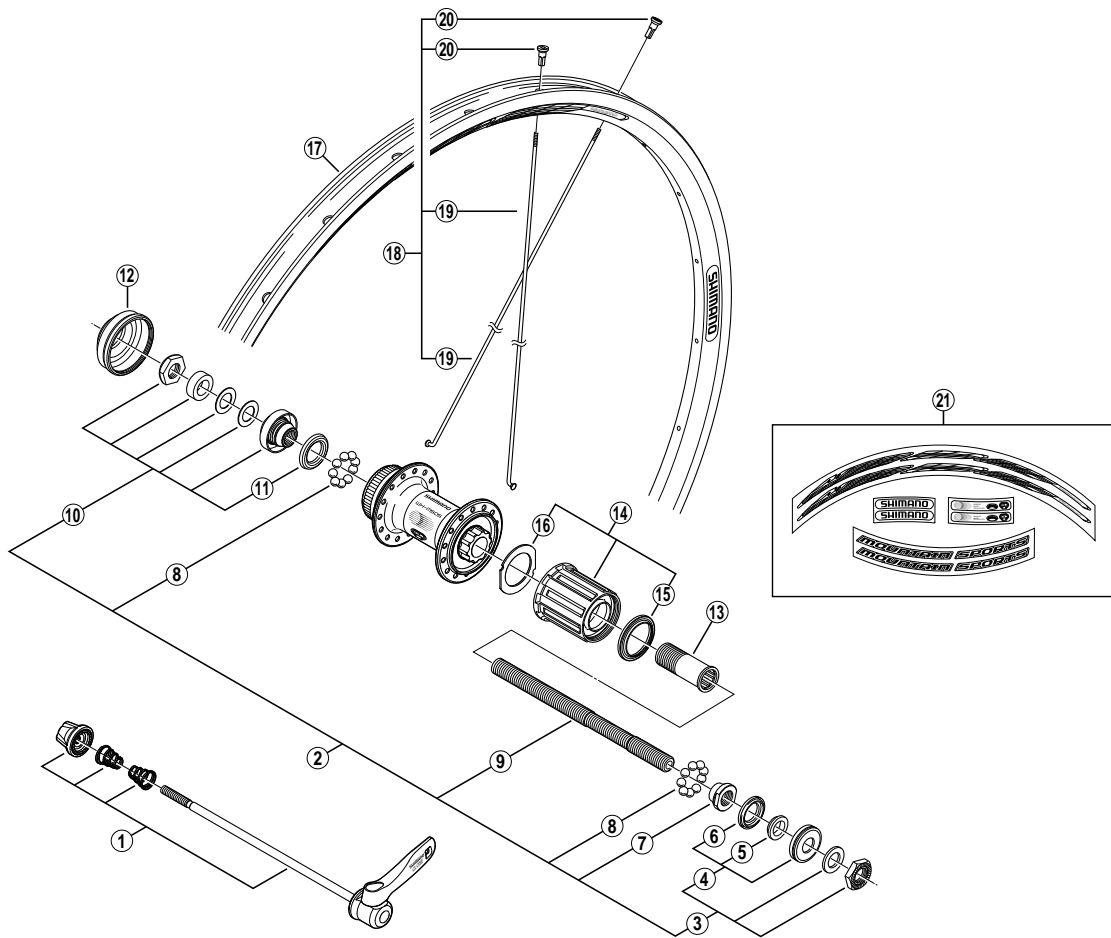


Rear Wheel (9-Speed)

# WH-M505-R WH-M505-L-R



• Over Lock Nut Dimension: 135 mm (5-5/16")

ITEM NO.	SHIMANO CODE NO.	DESCRIPTION	INTERCHANGEABILITY
1	Y-3BL 98010	Complete Quick Release 168 mm (6-5/8")	A
2	Y-4C6 98060	Complete Hub Axle 146 mm (5-3/4")	A
3	Y-4C6 98070	Right Hand Lock Nut Unit	A
4	Y-3CJ 98040	Right Hand Dust Cap Unit	A
5	Y-31V 03000	Right Hand Axle Spacer 3.7 mm	A
6	Y-214 06000	Right Hand Seal Ring	A
7	Y-3AE 03100	Right Hand Cone M10 x 9 mm	A
8	Y-000 91310	Steel Ball (1/4") 18 pcs.	A
9	Y-30K 01200	Hub Axle 146 mm (5-3/4")	A
10	Y-4C6 98080	Left Hand Lock Nut Unit	A
11	Y-377 10000	Left Hand Seal Ring	A
12	Y-25Y 06000	Rotor Mount Cover	A
13	Y-3BL 03000	Body Fixing Bolt	A
14	Y-4CH98030	Complete Freewheel Body	A
15	Y-3C7 03000	Sub Unit Rubber Seal	A
16	Y-3AN 10000	Freewheel Body Washer	
17	E-WHRIM1KCBC	Rim for WH-M505 {28H / Black / Anodized / Clincher}	
	E-WHRIM1LCBC	Rim for WH-M505-L {Disc Brake Only / 28H / Black / Anodized / Clincher}	
18	E-WHSPOKE1LC1	Spoke Unit {Spoke (254 mm x 28 pcs.) / Nipple (28 pcs.)}	
19	Y-012 34545	Spoke (254 mm)	
20	Y-012 Y4341	Nipple	
21	Y-4CH98010	Rim Sticker Unit for WH-M505	
	Y-4CH98020	Rim Sticker Unit for WH-M505-L	

A: Same parts.

B: Parts are usable, but differ in materials, appearance, finish, size, etc.

Absence of mark indicates non-interchangeability.

WH-M565

0606-2570

Specifications are subject to change without notice.

# SHIMANO